

Boomer 100

Portable speaker

Operation manual



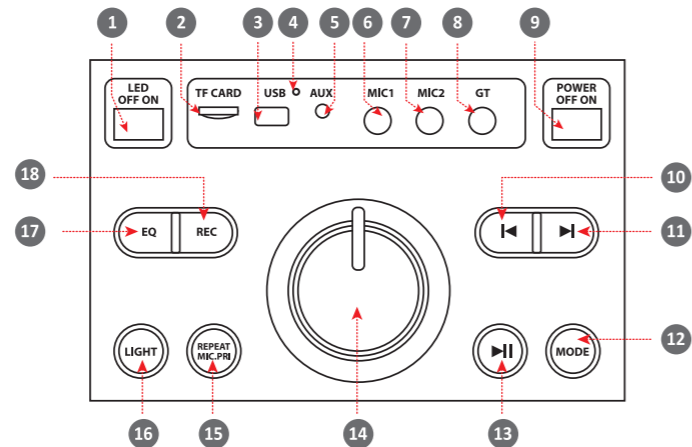
Класс II



EAC IP20



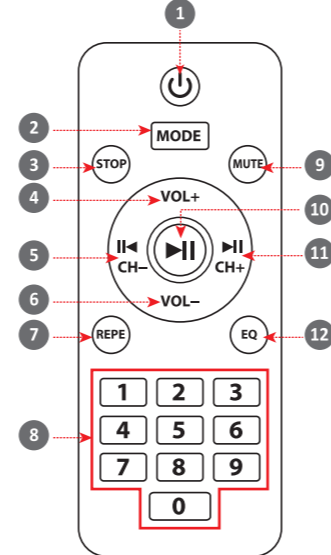
1. Functions



- 1 Light On/Off*
- 2 TF card slot
- 3 USB flash drive slot
- 4 Charging indicator
- 5 AUX
- 6 MIC connector №1
- 7 MIC connector №2
- 8 Guitar connector
- 9 Power On/Off
- 10 Previous track/Previous FM station
- 11 Next track/Next FM station
- 12 Change mode AUX, MP3, BT, FM
- 13 Play-Pause/FM auto searching/TWS mode
- 14 Rotate - Volume control
Pressing - selecting the controller mode:
master volume U00-U32
treble T -8-8
bass B -8-8
volume of microphone N00-N32
treble of microphone NT -8-8
bass of microphone NB -8-8
reverberation of microphone_E 00-16
delay of microphone D 00-16
guitar G 00-16
- 15 Track repeat mode /
Microphone Priority (long press)
- 16 Light control
- 17 EQ presets select
- 18 Microphone recording

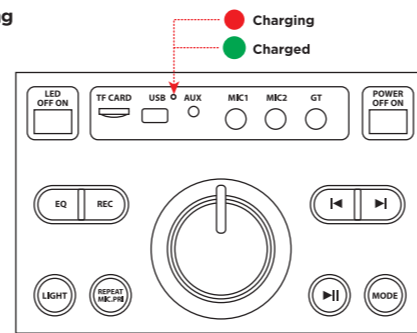
*To improve the quality of radio receiving, turn off the backlight

2. Remote control

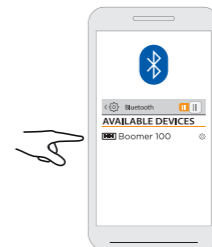
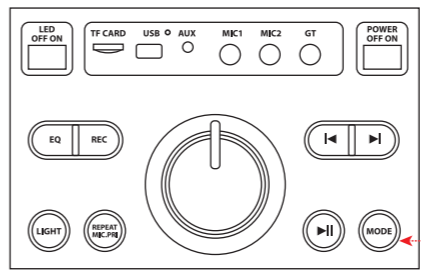


- 1 On/Off
- 2 Change mode AUX, MP3, BT, FM
- 3 Stop playback
- 4 Volume +
- 5 Previous track/Previous FM station
- 6 Volume -
- 7 Track repeat mode
- 8 MP3 track number input /
FM station number input
- 9 Mute
- 10 Play-Pause/FM auto searching
- 11 Next track/Next FM station
- 12 EQ presets select

3. Charging

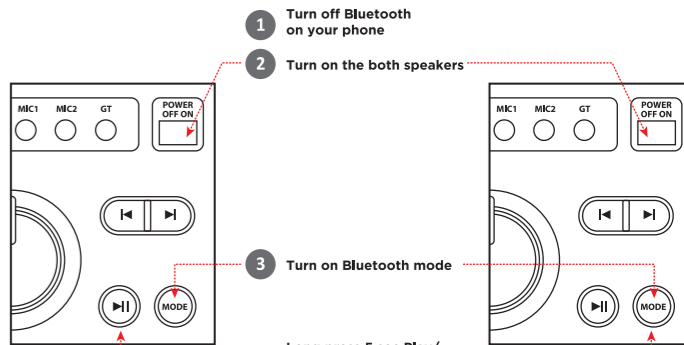


4. Bluetooth connection



Click - Select Bluetooth mode

5. Stereo system of two Boomer 100 (TWS mode)



- 1 Turn off Bluetooth on your phone
- 2 Turn on the both speakers
- 3 Turn on Bluetooth mode
- 4 Long press 5 sec Play/Pause button on left speaker
- 5 Wait for the speakers to connect
- 6 Turn on Bluetooth on the phone and connect to Boomer 100

