

# Enjoy 40

Portable speaker

Operation manual



IP20

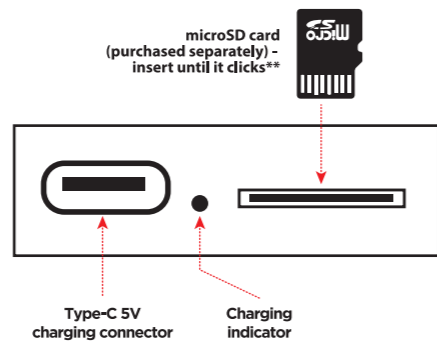
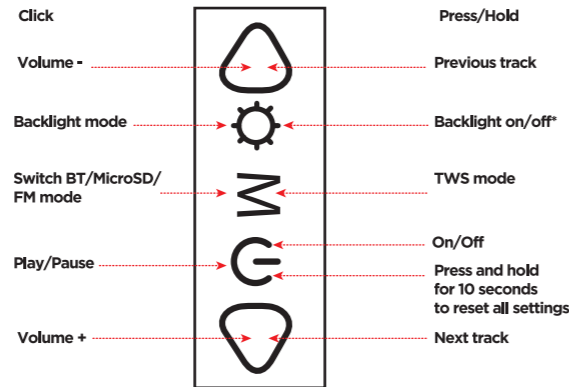
EAC

RoHS



IPX4

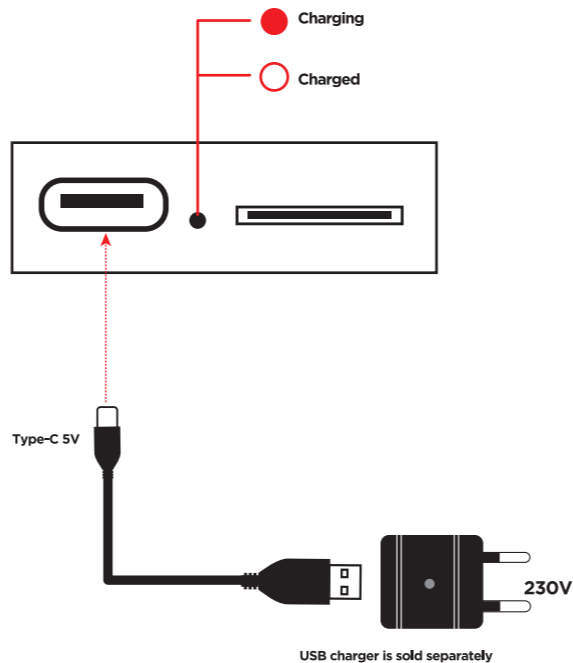
## 1. Functions



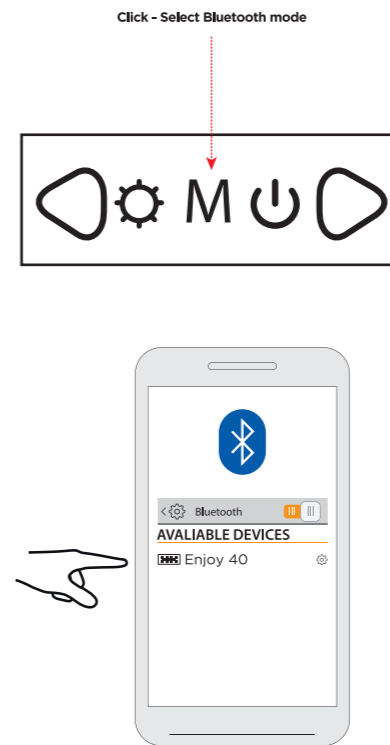
\*When the speaker is operating with backlight, a small background sound is possible, which can be heard in absolute silence, if it bothers you, turn off the backlight by long press button

\*\*The flash drive (microSD) must be up to 32GB and formatted in FAT32

## 2. Charging



## 3. Bluetooth connecton



## 4. Stereo system of two Enjoy 40 (TWS mode)

